



**MORSE
ARCHITECTURAL**

**New In Luxury
Shower
Technology!**



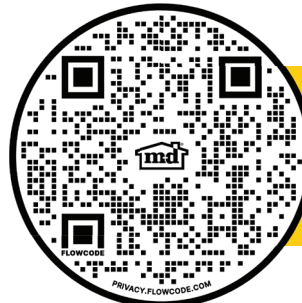
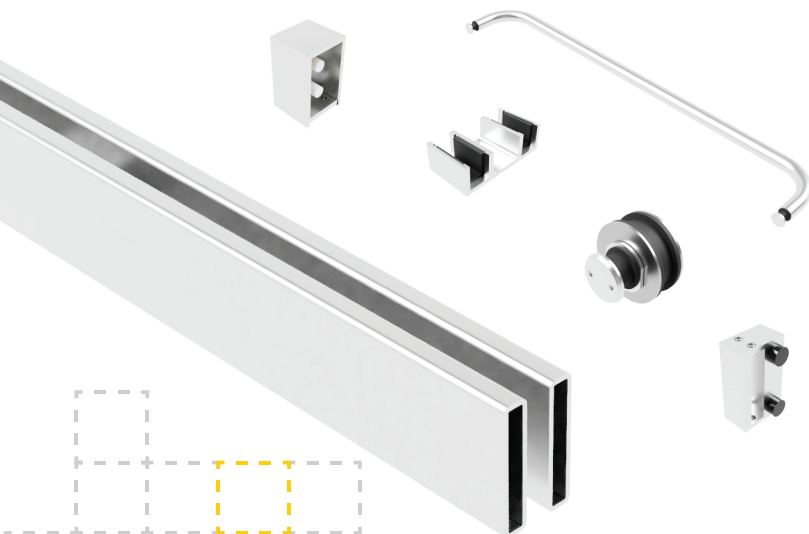
SYNCHRO™ DUAL SLIDING DOOR SYSTEM

The Synchro™ Dual Bypass Sliding System is a luxury double "barn door" shower kit. It is made from superior-quality stainless steel to ensure longevity. Synchro™ is easy to install, operates quietly, and utilizes minimalistic components. This graceful and simple design compliments any bathroom décor.

PRODUCT FEATURES:

- Two sliding glass doors
- Durable stainless-steel construction
- Minimalistic design
- Available in polished stainless, brushed stainless, matte black, and satin brass finish
- Up to 84 lbs per door weight capacity
- 3/8" thick glass compatibility
- Includes (2) 24" towel bars

Part Number	Description	Finish
SYNCHRO.BLK	Synchro Bypass Slider System	Matte Black
SYNCHRO.POL	Synchro Bypass Slider System	Polished Stainless
SYNCHRO.BRU	Synchro Bypass Slider System	Brushed Stainless
SYNCHRO.SAB	Synchro Bypass Slider System	Satin Brass



SCAN HERE
for more information



SYNCHRO SYSTEM KIT

The Synchro™ Dual Bypass Sliding shower kit uses superior-quality stainless steel in its construction rendering it durable and beautiful for years to come. Synchro's™ simple and minimalistic design gives it an elegant style, and its affordable price distinguishes it from other similar products.

KIT INCLUDES

- | | |
|---------------------|-------------------------------------|
| (8) Door Rollers | (1) 73" 304 Stainless Bar |
| (2) Door Stoppers | (1) 80" Clear PVC L-Jamb Vinyl |
| (2) Bar Wall Mounts | (2) 40" Bottom Sweep with Drip Rail |
| (1) Door Guide | (2) Round 24" Single Towel Bar |
| (1) Tool Kit | |

Product Details

- Stainless Steel Components
- 84 lbs per door maximum weight
- 37" maximum glass width
- 5/16" to 3/8" thick glass compatibility
- (4) Ø3/4" holes in glass doors for rollers
- (4) Ø1/2" holes in glass doors for towel bars

Synchro's™ minimalist design and elegant look create a sleek aesthetic that pleases the eye. The Synchro™ Dual Bypass Sliding shower kit offers a one-year warranty against manufacturing defects and is available in trending finishes including matte black, satin brass, brushed stainless, and polished stainless to achieve any look you need.

