

SDC HiShear®

1561TJ Series

Surface Top Jamb
Electromagnetic Shear Locks



SDC's HiShear® electromagnetic shear locks are designed, engineered and built in America for openings that require an architecturally superior appearance. Recognized as a cut above alternatives on the market, SDC shear locks provide high security with a failsafe locking mechanism to meet a variety of door opening applications. **The patented HiShear® design incorporates** a floating armature assembly and special alloy steel locking tabs on both the lock and armature assemblies, that may be adjusted both vertically and laterally to compensate for wide door gaps and warped or misaligned doors. Advanced electronic circuitry incorporates a door alignment relock sensor as well as an automatic sensing dual voltage input. Noise dampeners greatly reduce the noise associated with locking and unlocking when compared to other shear locks on the market.

HiShear® magnetic shear locks are ideal for use on commercial grade hollow metal and wood doors, metal frames and Herculite doors with top rails.

1561TJ models are surface mounted to the pull side of an in-swing door. For metal door and frame, glass door with top rail and metal frame, or wood door and frame. This mounting configuration eliminates the need for cumbersome and unsightly top jamb Z brackets normally associated with pull side mounting of magnetic locks.



MODELS

1561TJ Surface Top Jamb Shear Lock, Integrated Electronics, 2000lbs



STANDARD FEATURES

- Surface mount design
- Floating armature assembly
- Special alloy steel shear tabs
- Auto-sensing dual voltage
- Door alignment relock sensor
- Adjustable lateral and vertical alignment
- Noise dampeners



OPTIONAL FEATURES

- Door position status (DPS)
- Bond alert status (BAS)
- Visual status indicator (LED)*

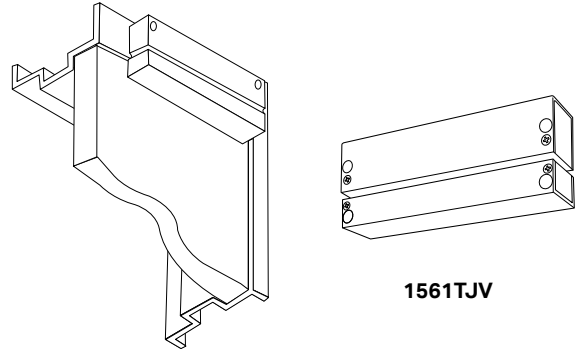
* Mounts separately through the frame and may be used to indicate lock is energized or wired to monitoring contacts.



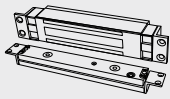
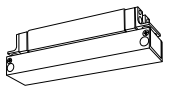


APPLICATIONS

PULL SIDE OF AN INSWING DOOR

For metal door and frame, glass door with top rail and metal frame, or wood door and frame. This mounting configuration eliminates the need for cumbersome and unsightly top jamb Z brackets normally associated with pull side mounting of magnetic locks.



CROSS REFERENCE

Series	1560	1562SC	1561S	1561TJ
				
Type	Concealed	Semi-Concealed	Surface	Surface Top Jamb
Integrated Electronics	1561 1565	-----	1561S	1561TJ
External Electronics	1562 1566	1562SC 1562SCHDB 1562SCHDB3/4	-----	-----
	CLICK TO VIEW	CLICK TO VIEW	CLICK TO VIEW	



SPECIFICATIONS

1561TJ

Housing	Aluminum
Mount	Top Jamb
Holding Force	2,000 lbs
Dimensions	8" x 1¾" x 1¾" Lock 8" x 1¾" x 1" Armature
Weight	5 lbs
Input	12/24 VDC ± 10% Auto-sensing
Current Draw	350 mA @ 24 VDC 650 mA @ 12 VDC
Monitoring Contacts	SPDT 250 mA @ 30 VDC Resistive

CERTIFICATIONS

UL 10C Positive Pressure Fire Tests of Door Assemblies
 ULC-S104 Standard Method for Fire Tests of Door Assemblies
 ULC-S533 Egress Door Securing and Releasing Devices

Uniform Building Code Standard 7-2 Fire Test of Door Assemblies (1997)

HOW TO ORDER

FOLLOW STEPS FOR ORDERING

 Designates optional step

1| SPECIFY MODEL

1561TJ Surface Top Jamb Shear Lock, Integrated Electronics, 2000lbs

2| SPECIFY FINISH

- V** 628 Dull Aluminum 
- Y** 335 Dull Black
- C** 605 Bright Brass
- X** 710 Dark Bronze
- Q** 626 Dull Chrome
- P** 625 Bright Chrome

3| SPECIFY OPTIONS

- DPS** Door Position Status (DPS)
- BA** Bond Alert Status (BAS)
- L3*** Visual Status Indicator (LED)

* Mounts separately through the frame and may be used to indicate lock is energized or wired to monitoring contacts.

STEP NUMBER:	1	2	3
ORDERING EXAMPLE:	1561TJ	V	DPS BA